

Standard Radial Bearing Shim on NDS for GXP

Install Tool:

Standard Shimano

- With threaded bottom bracket shells, it is critical that the shell's threads have been properly chased and the shell faced to the correct width.
- Grease threads well before install, use high quality grease.
- The wave washer should apply a light preload and should not bind up when cranks are torqued down.
- If this happen check shell is exactly 68.0 or 73.0

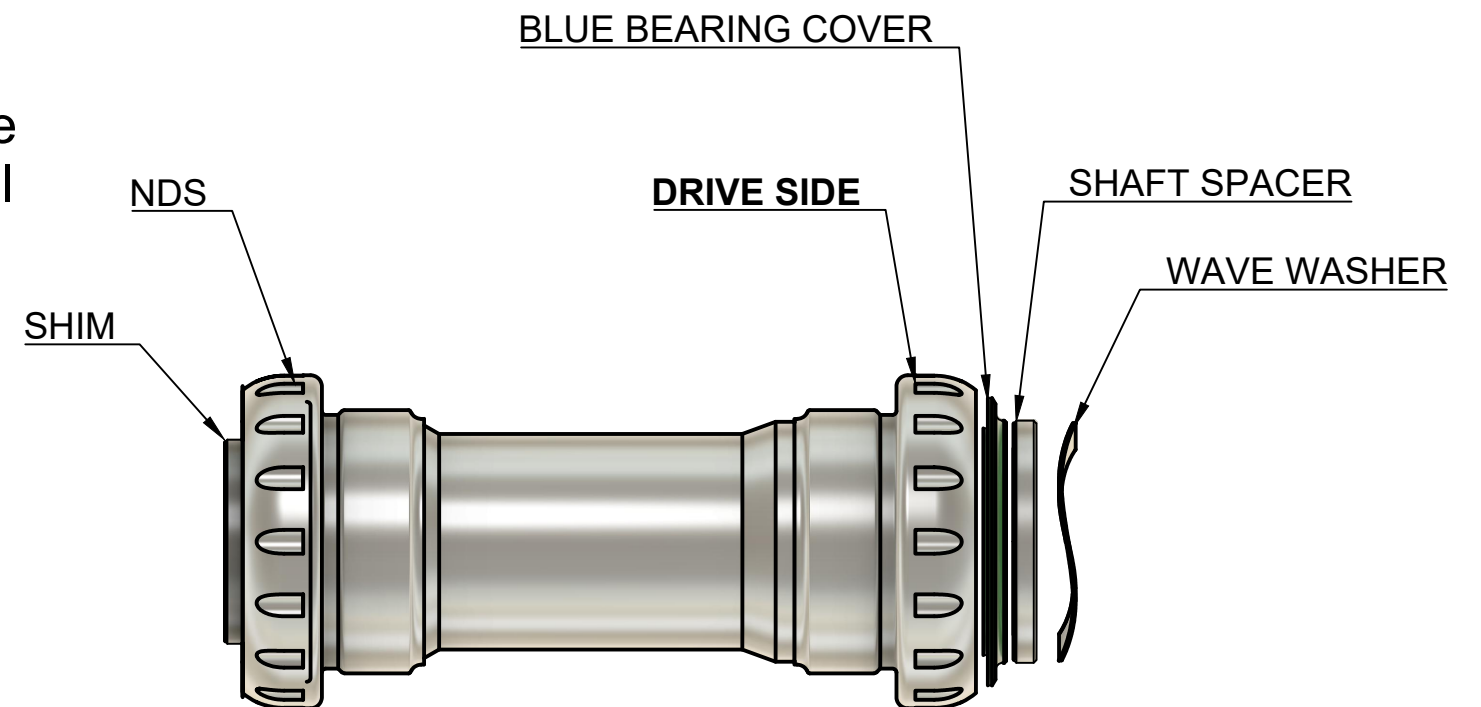
- For titanium and steel BB shells, anti-seize grease is recommended.
- Tighten cup to 35Nm


To remove.

Rotate drive side cup clockwise

And non drive side cup anti clockwise

Remove cups and middle tube out



Dept.	Technical reference	Created by Paul Macdonald 17/09/2020	Approved by
		Document type	Document status
		Title GXP ASS & T47	
		Rev.	Date of issue
		Sheet 1/1	